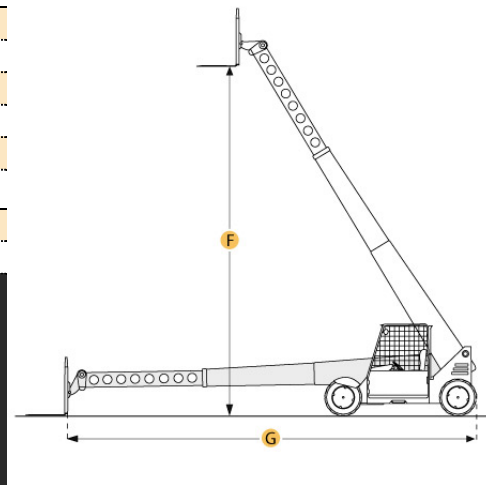


**Dimensions**

A. LENGTH TO FORK FACE	18.4 ft in	5610 mm
B. WIDTH OVER TIRES	8.5 ft in	2590 mm
C. OVERALL HEIGHT	8.3 ft in	2540 mm
D. WHEELBASE	10.3 ft in	3150 mm
E. GROUND CLEARANCE	1.4 ft in	430 mm

**Lift**

F. MAX LIFT HEIGHT	36 ft in	10970 mm
G. MAX FORWARD REACH	21 ft in	6400 mm



### Specification

#### Engine

MAKE	Perkins	
MODEL	1104C-44T	
GROSS POWER	99 hp	73.8 kw
NUMBER OF CYLINDERS		
ASPIRATION	Turbocharged	

#### Operational

OPERATING WEIGHT	20999 lb	9525 kg
FUEL CAPACITY	30.1 gal	114 L
HYDRAULIC SYSTEM FLUID CAPACITY	49.9 gal	189 L
DRAWBAR PULL	19200 lb	8709 kg
TIRE SIZE	13 x 24, 12 ply	

#### Transmission

TYPE	Powershift	
NUMBER OF FORWARD GEARS	3	
NUMBER OF REVERSE GEARS	3	
MAX SPEED - FORWARD	18 mph	29 km/h

#### Hydraulic

PUMP TYPE	Variable displacement	
PUMP FLOW CAPACITY	6.9 gal/min	26 L/min
RELIEF VALVE PRESSURE	2800 psi	19305.3 kPa

#### Lift

MAX LIFT CAPACITY	6001 lb	2722 kg
MAX LIFT HEIGHT	36 ft in	10970 mm
MAX LOAD AT MAX HEIGHT	6001 lb	2722 kg
MAX FORWARD REACH	21 ft in	6400 mm
MAX LOAD AT MAX REACH	1999.6 lb	907 kg

#### Dimensions

LENGTH TO FORK FACE	18.4 ft in	5610 mm
WIDTH OVER TIRES	8.5 ft in	2590 mm
OVERALL HEIGHT	8.3 ft in	2540 mm
WHEELBASE	10.3 ft in	3150 mm
GROUND CLEARANCE	1.4 ft in	430 mm
TURNING RADIUS OUTSIDE TIRES	14.4 ft in	4390 mm