

Home  
Financing

Products  
Ad Portal

Dealer Locator  
Dealer Portal

Google™ Custom Search

Search

## MODEL RS5-19 TELESCOPIC HANDLER



### Less IS More.

Size does matter, especially when working in confined spaces. Standing 6'4" with a turning radius of only 11', this little giant makes working in confined spaces easy.

- Lift Height (m): 19'1" (5.8)
- Max. Lift Capacity (kg): 5,500 lbs. (2495)
- Max. Forward Reach (m) : 11' (3.3)
- Max. Capacity at Reach (kg): 1,850 lbs. (839)
- Operating Weight: 10,000 lbs. (4536)
- [Click here for complete specs>>](#)

### STANDARD EQUIPMENT

- Automatic Self-Leveling Fork System
- Boom Control and Fork Tilt Joysticks
- Canopy – right-hand side glass and rear glass
- Dual Element Air Filter with Restriction Indicator
- Dynattach® Quick Carriage Release System
- Engine Block Heater
- Engine Temperature, Fuel and Hourmeter Gauges
- Full Time 4-wheel Drive
- Inline Glow Plug Weather Start
- Left-Hand Front Fender
- Planetary DANA Axles
- Power Steering
- Reverse Warning Horn
- Right-Hand Side-Mounted Rear View Mirror
- SAHR Parking Brake
- Selective Steering (2-Wheel, 4-Wheel, Crab)
- Storage Compartment under Seat

### MODEL RS5-19 FEATURES



**Selective Steering: 2-wheel**



**Selective Steering: 4-wheel**



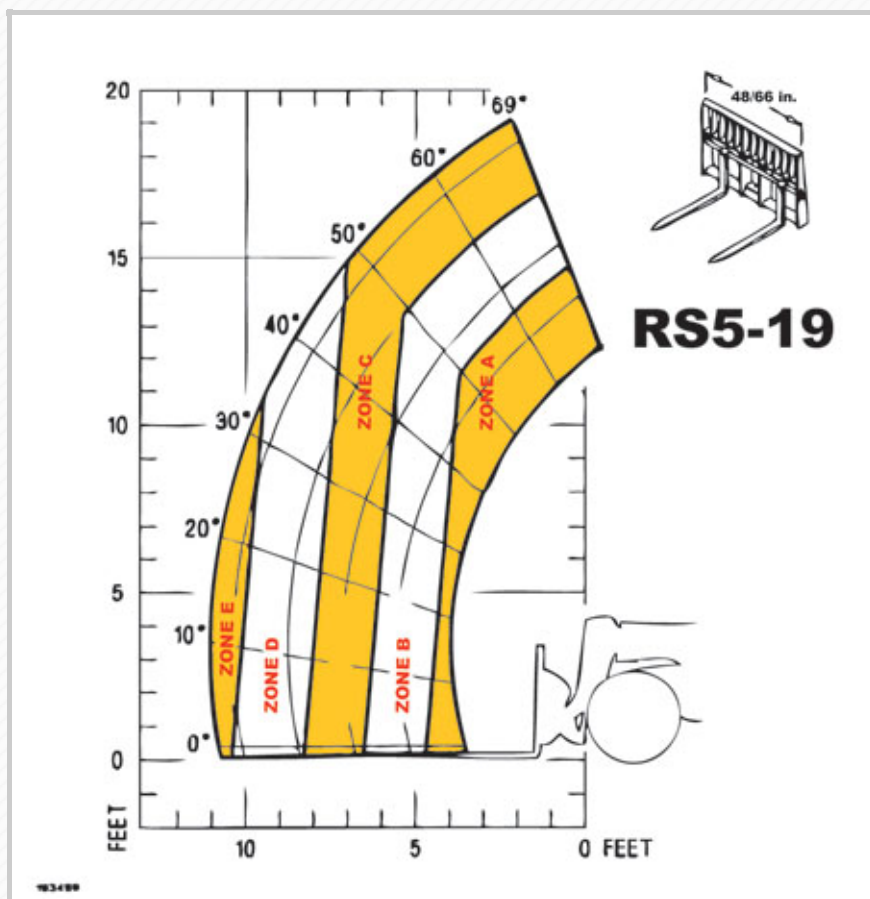
**Selective Steering: Crab**

- Two-Speed Forward/Reverse Hydrostatic Drive

### OPTIONAL EQUIPMENT

- Cab Enclosure
- Suspension Seat
- Auxiliary Hydraulics
- Roof Glass
- Light Package

### LOAD CHART



#### RS5-19 Load Chart

- Zone A:** 5,500 lbs.
- Zone B:** 4,000 lbs.
- Zone C:** 3,000 lbs.
- Zone D:** 2,000 lbs.
- Zone E:** 1,850 lbs.

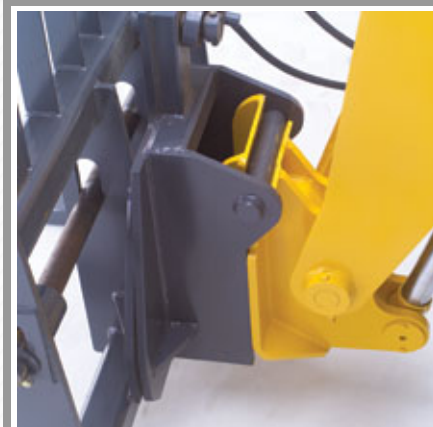
### RS5-19 SPECIFICATIONS



Hydraulic hoses are routed within the boom, protecting them from jobsite hazards



A modern, ergonomic design maximizes comfort and productivity



The Dynattach® Quick Carriage Release System allows for quick attachment changes. The operator does not have to leave the operator station to engage the attachment.

RS5-19	
<b>CAPACITIES</b>	
Lift Capacity (kg)	5,500 lbs. (2495)
Max. Lift Height (m)	19'1" (5.8)
Capacity at Maximum Lift Height (kg)	3,000 lbs. (1361)
Maximum Forward Reach (m)	11' (3.4)
Capacity at Maximum Reach (kg)	1,850 lbs. (840)
Maximum Reach Below Grade (mm)	0" (0)
<b>ENGINE</b>	
Manufacturer	Yanmar
Model	4TNV98 - Interim Tier IV
Power (kW)	68 hp (50.7)
Aspiration	Turbocharged
Rated Speeds (rpm)	2500



## COMPONENTS

Transmission	Rexroth 2-speed
Maximum Travel Speed (km/h)	15 mph (24)
Steering	4-wheel, 2-wheel, crab
Brakes	4-Wheel Hydraulically Actuated Internal Wet-Disc Brake
Parking Brake	SAHR (Spring-Applied, Hydraulic-Released) on Front Axle
Axle Manufacturer	Dana

## HYDRAULIC SYSTEM

Pump Type	Gear
Total Capacity (L/min)	22 gpm (83)
System Pressure	3,350 psi (231)
Hydraulic Tank Capacity (L)	18 gal. (68)

## GENERAL SPECIFICATIONS

Approximate Weight (kg)	10,000 lbs. (4536)
Length - Less Forks (m)	12'4" (3.8)
Width (m)	5'11" (1.80)
Ground Clearance (mm)	14" (350)
Wheelbase (m)	7'6" (2.29)
Turning Radius (m)	11' (3.35)
Overall Height (m)	6'4" (1.93)
Fuel Capacity (L)	17 gal. (64)
Hydraulic Oil Reservoir Capacity (L)	18 gal. (68)

## SPECIAL FEATURES

Quick-Attach Bracket	Dynattach® Standard
----------------------	---------------------

## TIRE OPTIONS

12.00 x 16.5 Bias/10 PR	12.00 x 16.5 Bias10 PR - Foam-Filled
12.00 x 16.5 Solid Rubber	

Copyright 2013. All rights reserved. Gehl Company / Terms of use / Contact Us