



# FORKLIFT BUCKETS

*"Star Attachments Turn a Forklift into a Whole Fleet of Equipment"*

## EXPAND...

### THE USE OF YOUR FORKLIFT

- ▶ Load Sand & Gravel
- ▶ Do Jobsite Clean-Up
- ▶ Remove Snow
- ▶ Elevate Roof Gravel
- ▶ Handle Roof Tear-Off Trash
- ▶ Backfill Behind High Walls

#### Reaches where loaders can't...

Designed for extendable-reach forklifts, Star Forklift Buckets permit placement of material far beyond the reach of a loader.

#### Stop paying extra for a loader...

The cost of a Star bucket is less than a two month loader rental.

#### Built to last as long as your forklift...

Rugged heavy-duty construction ensures long life.



## TWO STYLES TO CHOOSE FROM

### "Quick-Tach"

- 1. Connects directly to the end of boom** by means of the quick-tach thus providing a solid connection between the bucket and forklift. Specify forklift make and model when ordering QT buckets.
- 2. Long forks are not a problem** with the QT style because the forks and carriage are removed when the bucket is installed. Always choose the QT style bucket if the forks on your forklift are longer than 48".
- 3. More of the forklift's capacity is free** to lift heavier loads. Dropping the forks and carriage saves 700 to 1,000 lbs.

### "Slip-on-the-Forks"

- 1. Universal Fit - can be used with any make** and model of extendable-reach forklift that is equipped with standard 48" long forks. Bucket slides on the forks and is pinned behind the heel to secure it to the forklift.
- 2. Forks and carriage stay on forklift,** therefore they are less vulnerable to loss or damage. Quick to install.
- 3. Deeper bucket carries irregular shaped loads easier.** Because the bucket is substantially deeper, debris such as broken concrete, lumber scraps, and other trash stays in the bucket better. It also has greater capacity.

800-541-1797

or

817-485-6073

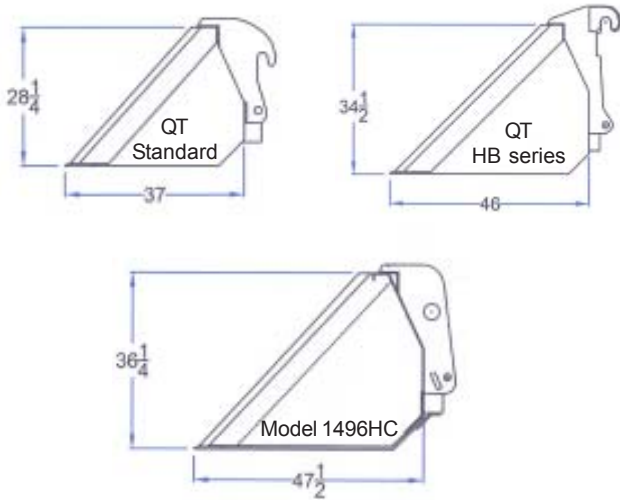
## Heavy Duty Construction

- Hard carbon steel cutting blade on leading edge and sides
- Heavy 3/16" and 1/4" plate construction
- 1/2" x 3" scuff bars protect bottom and extend bucket life

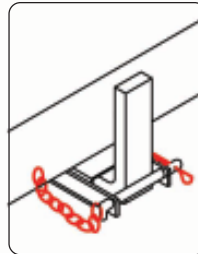
### Quick-Tach Style



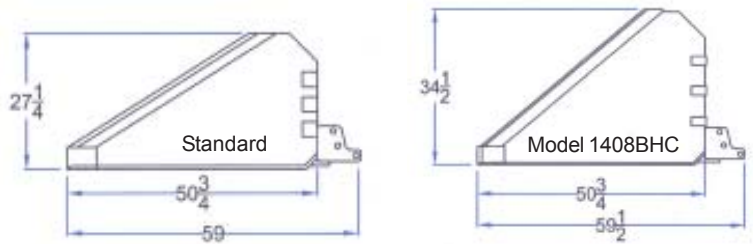
- ▶ Attaches directly to end of boom by means of forklift quick-tach
- ▶ Available for most forklifts
- ▶ Bucket approx. 35" deep



### Slip-on-the-Forks Style



- ▶ Accepts forks up to 7" wide x 48" long
- ▶ Positive locking system keeps bucket secured to forks
- ▶ Bucket approx. 51" deep



#### Optional Bolt-On Blade

5/8" x 8" Double Bevel Bolt-On Blade can extend bucket life 3 times or more. Available on both Quick-Tach and Slip-on-the-Forks style buckets.



#### "QUICK-TACH" BUCKETS

Model	Width ID	Capacity	Weight
1460	60"	0.80 cuyd	± 640 lbs.
1460HB	60"	1.00 cuyd	± 754 lbs.
1472	72"	1.00 cuyd	± 715 lbs.
1472HB	72"	1.25 cuyd	± 840 lbs.
1496	95"	1.25 cuyd	± 875 lbs.
1496HB	95"	1.65 cuyd	± 1020 lbs.
1496HC	95"	2.00 cuyd	± 1290 lbs.

Gehl Dynacarrrier, JCB QFit and Pettibone quick-taches require HB or HC series buckets.

#### UNIVERSAL FIT "Slip-on-the-Forks" BUCKETS

Model	Width ID	Capacity	Weight
1400B	60"	1.00 cuyd	555 lbs.
1406B	72"	1.20 cuyd	610 lbs.
1408B	95"	1.60 cuyd	740 lbs.
1408BHC	95"	2.00 cuyd	900 lbs.

Fork Pocket Size: 48" long x 7 3/4" x 3" ID  
Center to Center of Fork Pockets: 38"  
Pocket Ends are closed



4101 Garland Dr., Fort Worth, TX 76117  
Ph 817-485-6073 Fax 817-428-6008  
USA & Canada Toll Free 800-541-1797  
www.starindustries.com

Operating Manual/Safety Information  
Available online - [www.starindustries.com](http://www.starindustries.com)