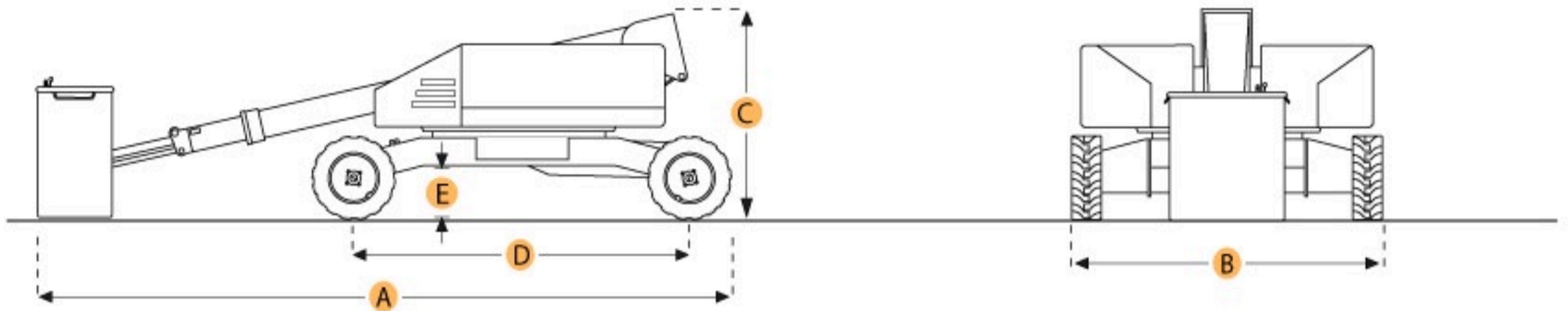


Print specification

>> Help improve this specification



**Selected Dimensions**

**Dimensions**

|                                  |            |          |
|----------------------------------|------------|----------|
| A. OVERALL LENGTH                | 36.6 ft in | 11160 mm |
| B. OVERALL WIDTH                 | 8.5 ft in  | 2600 mm  |
| C. OVERALL HEIGHT - MAST LOWERED | 9.7 ft in  | 2950 mm  |
| D. WHEELBASE                     | 12.1 ft in | 3700 mm  |
| E. GROUND CLEARANCE              | 13 in      | 330 mm   |

**Platform**

|                         |            |          |
|-------------------------|------------|----------|
| F. MAX PLATFORM HEIGHT  | 85 ft in   | 25900 mm |
| G. MAX HORIZONTAL REACH | 76.8 ft in | 23400 mm |

**Specification**

**Engine**

|           |            |
|-----------|------------|
| FUEL TYPE | gas/diesel |
|-----------|------------|

**Operational**

|                                 |            |          |
|---------------------------------|------------|----------|
| OPERATING WEIGHT                | 30159.2 lb | 13680 kg |
| FUEL CAPACITY                   | 39.9 gal   | 151 L    |
| HYDRAULIC SYSTEM FLUID CAPACITY | 65 gal     | 246 L    |
| MAX SPEED                       | 3 mph      | 4.8 km/h |
| TIRE SIZE                       | 15x22.5    |          |
| TIRE FILL/TYPE                  | Foam       |          |

**Platform**

|                              |            |          |
|------------------------------|------------|----------|
| MAX PLATFORM HEIGHT          | 85 ft in   | 25900 mm |
| MAX HORIZONTAL REACH         | 76.8 ft in | 23400 mm |
| MAX PLATFORM WEIGHT CAPACITY | 500.4 lb   | 227 kg   |
| PLATFORM LENGTH              | 96.1 in    | 2440 mm  |
| PLATFORM WIDTH               | 29.9 in    | 760 mm   |

**Dimensions**

|                               |            |          |
|-------------------------------|------------|----------|
| OVERALL LENGTH                | 36.6 ft in | 11160 mm |
| OVERALL WIDTH                 | 8.5 ft in  | 2600 mm  |
| OVERALL HEIGHT - MAST LOWERED | 9.7 ft in  | 2950 mm  |
| WHEELBASE                     | 12.1 ft in | 3700 mm  |
| GROUND CLEARANCE              | 13 in      | 330 mm   |

