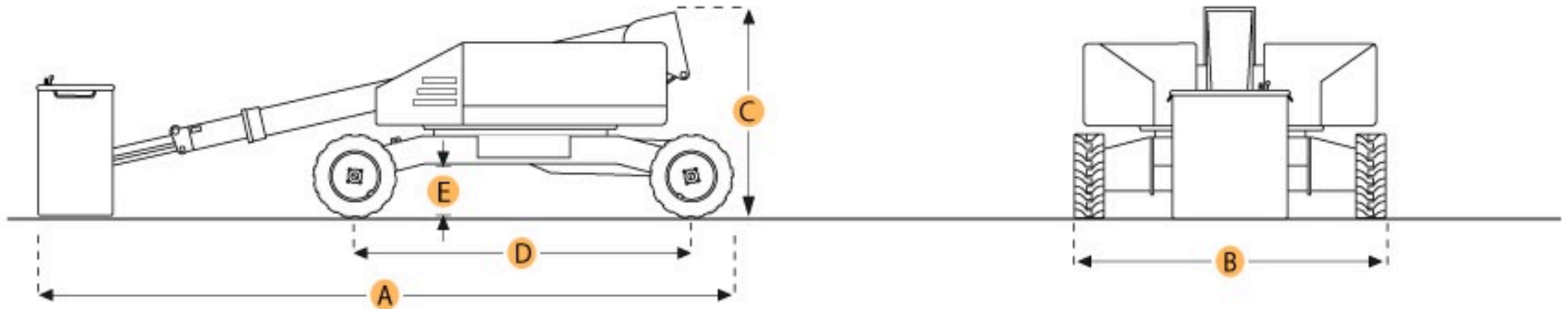


Print specification

» Help improve this specification



Selected Dimensions

Dimensions

A. OVERALL LENGTH	23.6 ft in	7200 mm
B. OVERALL WIDTH	7.9 ft in	2400 mm
C. OVERALL HEIGHT - MAST LOWERED	7.5 ft in	2300 mm
D. WHEELBASE	7.9 ft in	2400 mm
E. GROUND CLEARANCE	9.8 in	250 mm

Platform

F. MAX PLATFORM HEIGHT	42 ft in	12800 mm
G. MAX HORIZONTAL REACH	33.1 ft in	10100 mm

Specification

Engine

FUEL TYPE	gas/diesel	
-----------	------------	--

Operational

FUEL CAPACITY	20 gal	75.7 L
HYDRAULIC SYSTEM FLUID CAPACITY	25 gal	94.6 L
MAX SPEED	3 mph	4.8 km/h
TIRE SIZE	12x16.5	
TIRE FILL/TYPE	pneumatic	

Platform

MAX WORKING HEIGHT	15.6 ft in	4763 mm
MAX PLATFORM HEIGHT	42 ft in	12800 mm
MAX HORIZONTAL REACH	33.1 ft in	10100 mm
MAX PLATFORM WEIGHT CAPACITY	500.4 lb	227 kg
PLATFORM LENGTH	59.8 in	1520 mm
PLATFORM WIDTH	29.9 in	760 mm

Dimensions

OVERALL LENGTH	23.6 ft in	7200 mm
OVERALL WIDTH	7.9 ft in	2400 mm
OVERALL HEIGHT - MAST LOWERED	7.5 ft in	2300 mm
WHEELBASE	7.9 ft in	2400 mm
GROUND CLEARANCE	9.8 in	250 mm

