



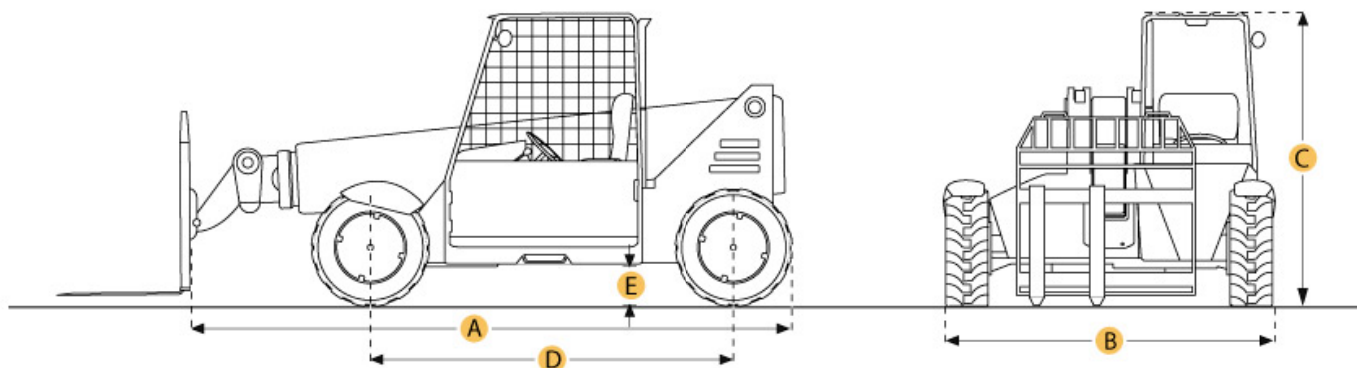
[Home](#) → [Spec Search](#) → [All Types](#) → [Telescopic Forklift](#) → [Genie](#) → GTH842

GENIE GTH842 TELESCOPIC FORKLIFT

[VIEW ARTICLES ON THIS ITEM](#)

[Print specification](#)

[» Help improve this specification](#)



Selected Dimensions

Dimensions

A. LENGTH TO FORK FACE	20 ft in	6100 mm
B. WIDTH OVER TIRES	8.5 ft in	2590 mm
C. OVERALL HEIGHT	8.9 ft in	2720 mm
D. WHEELBASE	10.8 ft in	3300 mm
E. GROUND CLEARANCE	1.4 ft in	430 mm

Lift

F. MAX LIFT HEIGHT	42 ft in	12800 mm
G. MAX FORWARD REACH	25 ft in	7620 mm

Specification

Engine

MAKE	John Deere	
MODEL	4045TF270	
GROSS POWER	99 hp	73.8 kw
NUMBER OF CYLINDERS	4	
ASPIRATION	Turbocharged	

Operational

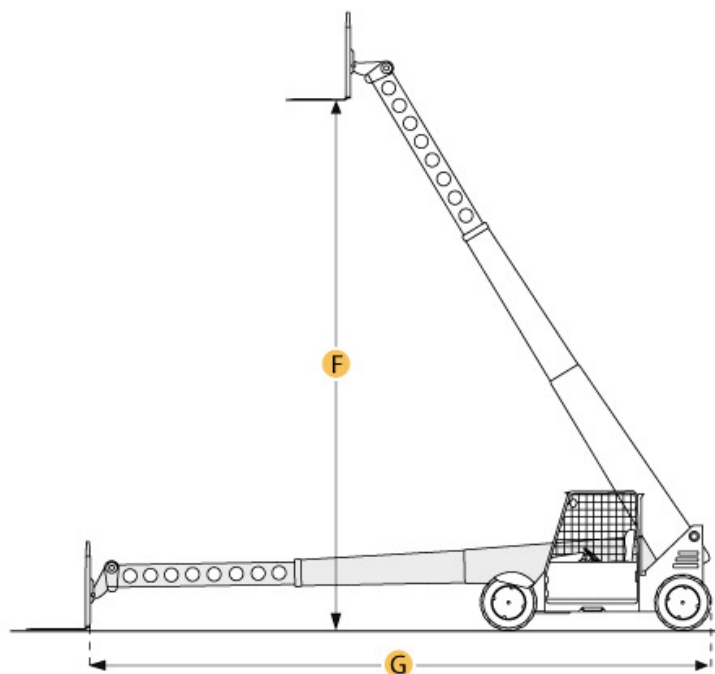
OPERATING WEIGHT	21499.5 lb	9752 kg
FUEL CAPACITY	30.1 gal	114 L
HYDRAULIC SYSTEM FLUID CAPACITY	49.9 gal	189 L
DRAWBAR PULL	19200 lb	8709 kg
TIRE SIZE	13 x 24, 12 ply	

Transmission

TYPE	Powershift	
NUMBER OF FORWARD GEARS	3	
NUMBER OF REVERSE GEARS	3	
MAX SPEED - FORWARD	18 mph	29 km/h

Hydraulic

PUMP TYPE	Variable displacement	
PUMP FLOW CAPACITY	6.9 gal/min	26 L/min
RELIEF VALVE PRESSURE	3000 psi	20684.3 kPa



Lift

MAX LIFT CAPACITY	8000.6 lb	3629 kg
MAX LIFT HEIGHT	42 ft in	12800 mm
MAX LOAD AT MAX HEIGHT	6001 lb	2722 kg
MAX FORWARD REACH	25 ft in	7620 mm
MAX LOAD AT MAX REACH	1999.6 lb	907 kg

Dimensions

LENGTH TO FORK FACE	20 ft in	6100 mm
WIDTH OVER TIRES	8.5 ft in	2590 mm
OVERALL HEIGHT	8.9 ft in	2720 mm
WHEELBASE	10.8 ft in	3300 mm
GROUND CLEARANCE	1.4 ft in	430 mm
TURNING RADIUS OUTSIDE TIRES	14.8 ft in	4500 mm

© 2007-2013 RitchieSpecs Equipment Specifications Ritchie Bros. Auctioneers © | [Terms of Use](#) | [Privacy Statement](#)
OEM specifications are provided for base units. Actual equipment might vary with options.