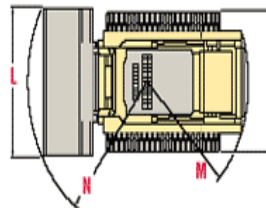
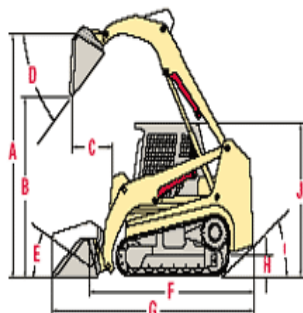


Compact Track Loaders

SPECIFICATIONS



	CTL60	CTL70	CTL80
DIMENSIONS & WEIGHT			
Operating Weight (approx.) (kg)	7497 lbs. (3401)	9590 lbs. (4350)	10,692 lbs. (4850)
A. Max. Lift Height to Bucket Pin (mm)	119.5" (3035)	123" (3124)	126.1" (3203)
B. Dump Height (mm)	93.3" (2370)	94.8" (2408)	93.5" (2375)
C. Reach at Maximum Lift (mm)	33.5" (851)	34.4" (874)	41" (1049)
D. Dump Angle	37°	38.5°	37°
E. Bucket Rollback Angle at Ground Level	35°	31°	32°
F. Overall Length – less bucket (mm)	103.5" (2629)	116.1" (2949)	122.3" (3106)
G. Overall Length – with bucket (mm)	139.5" (3543)	146" (3708)	158.5" (4026)
H. Ground Clearance (mm)	12.2" (310)	12.8" (325)	14.3" (363)
I. Angle of Departure	26°	29.2°	28°
J. Height – to top of ROPS (mm)	83.6" (2123)	85.3" (2167)	87.3" (2217)
K. Overall Width – less bucket (mm)	62.2" (1580)	69.7" (1770)	72.6" (1884)
L. Overall Width – with bucket (mm)	70" (1778)	74" (1880)	84" (2134)
M. Rear Clearance Radius (mm)	61" (1549)	65.6" (1666)	71.5" (1816)
N. Front Clearance Radius – w/bucket (mm)	93" (2362)	90.3" (2294)	106" (2692)

	CTL60	CTL70	CTL80
ENGINE			
Make	Yanmar	Isuzu	Yanmar
Model	4TNV98	4JG1T	4TNV106T
Aspiration	Natural	Turbocharged	Turbocharged
Displacement (L) / Cylinders	202.5 cu. in. (3.3) / 4	187 cu. in. (3.1) / 4	269 cu. in. (4.4) / 4
Power (kW) @ rpm	66 hp (49) @ 2450	81 hp (60) @ 2400	97 hp (72) @ 2200
Max. Torque (Nm) @ rpm	181 ft.-lbs. (244) @ 1600	190 ft.-lbs. (258) @ 1800	291 ft.-lbs. (393) @ 1400

	CTL60	CTL70	CTL80
PERFORMANCE			
Tipping Capacity (per SAE J732) (kg)	4630 lbs. (2100)	5952 lbs. (2700)	7056 lbs. (3200)
Rated Operating Load (kg)			
SAE J818 @ 50% of tipping capacity	2315 lbs. (1050)	2976 lbs. (1350)	3528 lbs. (1600)
SAE J818 @ 35% of tipping capacity	1620 lbs. (735)	2083 lbs. (945)	2470 lbs. (1120)
Breakout Force (kN)			
Bucket	6728 lbs. (30.0)	7401 lbs. (32.9)	8692 lbs. (38.6)
Lift Arm	6709 lbs. (29.8)	7425 lbs. (33)	8549 lbs. (38.0)
ELECTRICAL SYSTEM			
Battery / CCA	12-volt / 660	12-volt / 660	12-volt / 660
Alternator	40-amp	50-amp	60-amp
UNDERCARRIAGE			
Traction Pump / Traction Drive	Piston / Planetary	Piston / Planetary	Piston / Planetary
Traction Braking	Hydraulic	Hydraulic	Hydraulic
Drawbar Pull (kN)	8812 lbs. (39.2)	11,244 lbs. (50)	13,066 lbs. (58.1)
Roller Type / Track Rollers – each side	Steel / 4	Steel / 4	Steel / 5
Track Width (mm)	12.6" (320)	18" (457)	18" (457)
Track Contact Length (mm)	54.7" (1389)	59" (1496)	62.9" (1598)
Ground Pressure (kg/cm²)	4.86 psi (0.34)	4.1 psi (0.28)	4.3 psi (0.30)
Travel Speed (km/h)			
Low	0-4.5 mph (0-7.2)	0-4.5 mph (0-7.2)	0-5.0 mph (0-8)
High	0-6.3 mph (0-10.1)	0-6.4 mph (0-10.3)	0-6.9 mph (0-11)
	CTL60	CTL70	CTL80
HYDRAULIC SYSTEM			
Operating Pressure (bar)	2988 psi (206)	2988 psi (206)	2988 psi (206)
Auxiliary Hydraulic Flow - std. (L/min)	18.0 gpm (68.1)	19.8 gpm (74.9)	23.4 gpm (88.6)
CAPACITIES			
Fuel (L)	19.8 gal. (75)	23.8 gal. (90.1)	28.5 gal. (107.9)
Hydraulic Reservoirs (L)	10.2 gal. (38.6)	13.7 gal. (51.8)	16.9 gal. (64)
Engine Oil (L)	10.8 qts. (10.2)	10 qts. (9.4)	14.8 qts. (14)
Engine Coolant (L)	11.6 qts. (11)	16 qts. (15.1)	16 qts. (15.1)
BUCKET			
Mounting	Universal quick-attach	Universal quick-attach	Universal quick-attach
Capacity – SAE Heaped (m³)	15.3 cu. ft. (0.44)	20.4 cu. ft. (0.58)	22.0 cu. ft. (0.63)

